



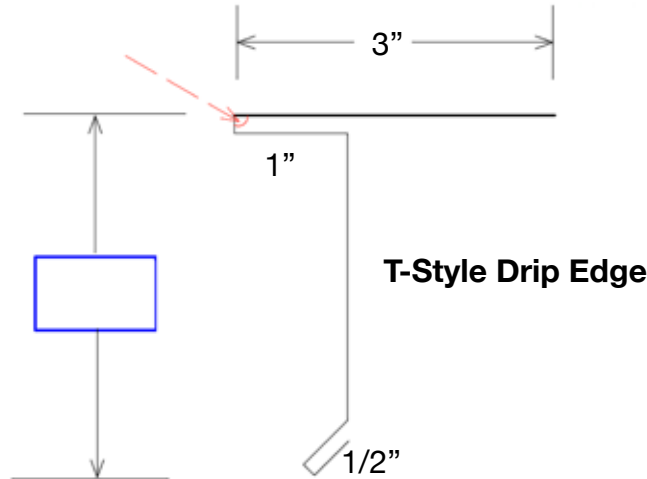
27400 Northline Road, Romulus, MI 48174
 P: 734 942-3000 • F: 734 942-3075
 sales@NationalMetalSales.com

Metal Roof Drip Edge Quote/Order Form

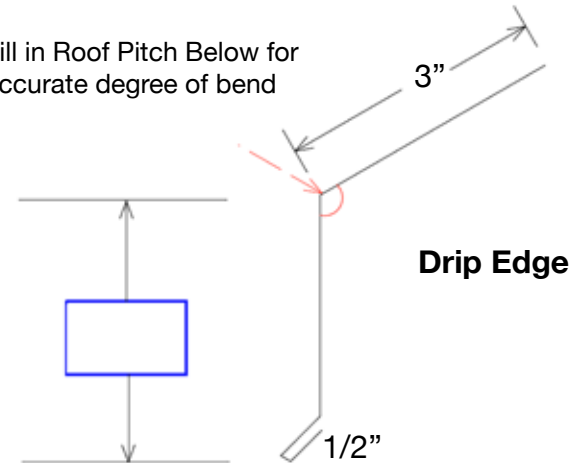
Project Name: _____ Date: _____
 Customer Name: _____ Customer Contact: _____
 Phone: _____ Email: _____

Sheet ____ of ____

Check the appropriate system



Fill in Roof Pitch Below for accurate degree of bend



Material:

- 22 Ga Steel 24 Ga. Steel
 .032 Aluminum .040" Aluminum

Color: _____ Finish: _____

Check Color Matrix For Availability

Quantities:

- _____ Lineal Feet _____ Stretch Out
 _____ Roof Pitch _____ Standard Drip Edge
 _____ T-Style Drip Edge _____ Splice Plates Ea.

- Copper Stainless Steel